



# MT2000-D TOTE WALK BEHIND MANUAL



56 Export Drive, Ernest Junction, Qld. 4214 Ph .+ 61 7 5594 7199  
www.truturf.com email: sales@truturf.com Fax + 61 7 5571 5493



# CONTENTS

1. Machine Information Record
2. Safety Information
3. Warranty
4. List Of Components
5. Assembly Instructions
7. Operation
8. Machine Components
11. Decals and Location
12. Parts List



Congratulations on your investment in the MT2000-D Tote Walk Behind.

The following operation and maintenance manual has been prepared for use with the MT2000 Tote Walk Behind. It is intended as a guide and supplemental updates to the manual may take place at a future date.

This machine is engineered to be simple to operate and easy to maintain. If you have any questions or concerns that this manual does not address, please feel free to contact your distributor at:

NAME: \_\_\_\_\_

ADDRESS: \_\_\_\_\_

TELEPHONE: \_\_\_\_\_

FACSIMILE: \_\_\_\_\_

**MACHINE INFORMATION**

**MT2000-D TOTE WALK BEHIND**

Serial No. \_\_\_\_\_

Purchase Date No. \_\_\_\_\_



## SAFETY INFORMATION

**Safety is of the utmost importance when operating turf equipment. To ensure safe operation of the MT2000-D Trailer, please follow the following safety guidelines.**

- \* Always make a pre-operation inspection. If this procedure is not carried out damage to property or personnel may occur.
- \* Keep children, pets and inexperienced personnel away from the trailer. This trailer should only be operated by trained and skilled personnel - check with your supervisor if you are unsure.
- \* Never permit inexperienced operators to use the trailer. This trailer requires certain knowledge and expertise to operate it; you must be a trained person to use this trailer. Unskilled persons can harm themselves and others if they operate this trailer.
- \* Maximum recommended towing speed is not to exceed 12 mph (20 kph). If towing one tote.
- \* Recommended maximum tow hitch coupling height 300mm (12"). Minimum 250mm (10").
- \* **Important – when towing 2 or more mowers at any one time, maximum towing speed is not to exceed 6 mph (10 kph)**

**OPERATOR, REMEMBER IT IS YOUR RESPONSIBILITY TO BE AWARE OF YOUR SURROUNDINGS.  
TO AVOID ACCIDENTS, THINK SAFE AND OPERATE SAFE.**



## ONE YEAR WARRANTY

**Universal Conditions:** Tru-Turf Equipment will either repair or replace any item or part of a Tru-Turf Equipment turf maintenance product that is defective in workmanship or material for a period of twelve (12) months from the date of delivery of the new product to the original end user. These items will be repaired or replaced free of charge and freight free.

**Products Protected By This Warranty:** This Warranty relates to the following products manufactured by Tru-Turf Equipment and parts used to make these products:- GR39 Golf Greens Roller; GR48 Golf Greens Roller; GR7000 Golf Greens Roller; GR11000 Golf Greens Roller; RS48 Roll 'n' Spike Golf Greens Roller; RS48-11 Roll 'n' Spike Golf Greens Roller; RS48-11B Roll "n" Spike Golf Greens Roller; Triplex Roll 'n' Spike Mower Attachment Heads and Brackets; MT2000-S Single Tote for Walk Behind Mowers; MT2000-D Dual Tote for Walk Behind Mowers; Sports Ground Roll 'n' Spike Turf Roller.

**Parts Warranted By Suppliers To Tru-Turf:** Specific component parts supplied to Tru-Turf Equipment are covered by that supplier's Warranty. These parts include Eaton Transmission, Honda Engines and Kohler Engines.

**Normal Wear and Tear:** Tru-Turf Equipment will not repair or replace parts subject to normal maintenance routines as specified in the products Operator's Manual nor to parts subject to wear and tear during the correct operation of the product. These parts include, but are not limited to, oils, filters, tires, shafts, bearings, blades, spikers, slicers, brakes, belts, hoses and spark plugs.

**Other Items Not Covered By This Warranty:** Tru-Turf Equipment will not repair or replace free-of-charge any item that has been damaged by accident, lack of reasonable care and protection or lack of suitable storage. We will not cover parts that have been altered or modified by anyone other than Tru-Turf Equipment nor will we cover used parts that are installed in place of failed parts. We will not cover parts that have not been installed correctly by the end user or its agents nor will we cover parts that have not been maintained as per the Operator's Manual. Service calls and overtime labour rates will not be covered. We will not cover freight costs related to the return of the faulty product to Tru-Turf Equipment or its agents. Tru-Turf Equipment will not be liable for any consequential loss or damage or costs caused by or incidental to the failure of any new part supplied with the original purchase or any new part supplied as a replacement for any failed part.

**Lodging Warranty Claims:** The final purchaser of the new Tru-Turf Equipment product must lodge a Warranty Claim with Tru-Turf Equipment or its agents. The final purchaser must provide written evidence detailing the product's delivery date to that purchaser and the reasons why the purchaser believes that the product or its part is defective in the categories of faulty material or workmanship. The purchaser is to deliver the faulty product or part to Tru-Turf Equipment or its agents at the purchaser's expense. Acceptance or rejection of the Warranty Claim is entirely at the discretion of Tru-Turf Equipment or their Suppliers who warrant their own part(s).

No person or organization has the authority to modify the terms or conditions or limitations of this Warranty without the written consent of Tru-Turf Equipment



When you receive the 2 cartons, the Tote will be broken down into components ready for assembly. If you run into any problems during assembly, please feel free to call your local distributor or agent.

## List of Components

QTY	Description	QTY	Description
1	Operation, Maintenance & Parts Manual	4	1/4" x 3/4" NF Bolts
1	Main Frame consisting of 5 pieces	2	Spacers (Wheels)
3	Dual Drawbar (3 pieces)	4	5/16" Nyloc Nuts
1	Strut	1	Plate (Triangle shape)
2	5/16" x 1" NF Bolts	4	1/4" Nyloc Nuts
1	Mower tray	1	Post (Strut)
2	5/16" x 1 3/4" NF Bolts	4	1/2" Nyloc Nuts
1	"t" piece (suites JD and Jake)	2	Upper axle retainer plates
8	3/8" x 2 1/4" NF Bolts	2	1" Flat Washers
1	Extension rest (suites Toro)	2	Lower axle retainer plates
8	3/8" x 2" NF Bolts	1	Washer plate (MT043)
2	Wheel deflectors	1	Strap (short with buckle)
2	3/8" x 2 1/2" NF Bolts	2	Straps (1 short & 1 long)
2	Tires and wheels	2	1" OD Circlips
4	1/2" x 1 3/4" NF Bolts	1	Drawbar Pin
1	Drawbar coupling	2	Sets of springs
18	3/8" Nyloc Nuts		



## ASSEMBLY INSTRUCTIONS

Remove components from cardboard cartons.

In conjunction with drawing on page 8-10 assemble as follows: -

Starting with Main Frame WB001

Slide the Drawbar WB004 onto the locating lug on the front centre of Main Frame WB001 at point (K), fasten with 2 – 3/8" x 2 1/4" Bolts and washer plate at point (W), & Nyloc nuts. TIGHTEN BOLTS.

Mount Springs (WB007) to the underside of the spring hanger and the wheel deflectors to the top of the spring hangers & fasten at points (Q). as per drawing on page 9. Secure with 4 – 1/2"x 1 3/4" NF Bolts & Nyloc nuts supplied. Note: The spring has the axle attached in place; ensure axles are facing outward from the trailer frame. TIGHTEN BOLTS.

Slide spacer (WB010) onto axle, slide wheel onto axle, fasten with 1" washer and external circlip; ensure circlip is correctly fitted into axle groove.

**IMPORTANT DO NOT TIGHTEN ANY BOLTS UNTIL THE TOTE IS COMPLETELY ASSEMBLED (FIT THE HYDRAULIC STRUT AFTER TIGHTENING ALL BOLTS)**

Take Upper Frame piece, (WB002), slide the Nylon Bush onto the lower frame spigot (M); rest it on the top of Main Frame (WB001). Take the second Upper Frame, (WB003); slide it onto the spigot (L) and allow it to rest on the top of Main Frame (WB001).

Take upper frame strengthener (WB044). Place it on top of upper frames (WB002 & WB003) at point N and attach with 4 - 3/8" x 2 1/4" bolts (inserted through strengthener first), washers and nyloc nuts. Do not tighten.

Take upper locking frame (WB005), slide it under upper frame strengthener (WB044) and between upper frame pieces (WB002 & WB003) and attach with 2 – 3/8" x 2 1/4" bolts and nyloc nuts.

Slide axle upper retainers (WB026) into Upper Frames (WB002 & WB003) at points (J) for mowers 220A, 220B & 260B long side out, other mowers insert retainers long side in (Note: If mower does not fit between retainers reverse the retainers).

Using 4 – 3/8" x 2 1/4" NF Bolts & Nyloc Nuts. Fit mower tray (WB032) outer flat retainer plate (WB039) and inner cranked retainer plate (WB035) to the upper frames (WB002 & WB003) at points J.

The flat retainer plate goes on the outside of the tray and the cranked plate to the inside of the upper frames, cranked to allow maximum distance between plates. Ensure 2 bolts attach upper axle retainers (WB026) at the same time.



Attach Sleeve (WB040) between inner and outer Draw Bar Retainer Plates at point (S) lower hole with 2 - 3/8 x 2 1/2" NF Bolts & Nyloc nuts. TIGHTEN ALL BOLTS.

Attach LH & RH Dual Drawbar Frames (WB034) to Upper Frames (WB002 & WB003) at points (X) with 2 x 3/8" x 2 1/2" Bolts & Nyloc nuts. Ensure bends are pointing down when frames are pointing to rear of trailer. Slide Dual Trailer Drawbar (WB033) inside Dual Drawbar Frames (WB034) at points (U) with 2 x 3/8" x 2" Bolts & Nyloc nuts. Ensure drawbar plate is horizontal and secure.

IT IS NOW TIME TO TIGHTEN ALL BOLTS SECURELY.

It is important to select the correct combination of upper and lower axle retainer brackets; if this is ignored the mower may become disconnected in transport causing serious damage to the mower, the operator or other personnel, then:

Bolt lower axle Retainer Plates (WB027 & WB028) to the underside of the upper Retainer Plates (WB026) using 4 x 1/4" x 3/4" Bolts & Nyloc nuts. Ensure that the bolt holes on the Lower Retainer Plates are positioned to the outside of the trailer on each side. Important - allow a maximum of 40mm (1 1/2") & a minimum of 20mm (3/4") overall clearance between end of mower axles & vertical plates on the Lower Axle Retainer Plates.

Attach Rest (WB024) to Upper Frame (WB005) at point (R) use 1 x 5/16" x 1 3/4" NF Bolt & Nyloc nut.

For Toro mowers, bolt (WB025) to part (WB024) using 2 x 5/16" x 1" NF Bolts and Nyloc nuts, then attach webbing straps to both ends of part (WB025).

Slide Hydraulic Strut support (WB041) into the lug welded onto the top of the RH Locking Frame (WB003) at point (O). Use a 5/16 x 1 3/4 NF Bolt & Nyloc nut to fix.

Slide Drawbar tongue (WB045) into end of drawbar (WB004) at point Z and attach with 2 - 3/8" x 2" bolts and Nyloc Nuts.

IT IS NOW TIME TO TIGHTEN ALL BOLTS SECURELY

Remove the wire locking clip from both ends of the strut.

Connect the shaft end of the Hydraulic Strut (R5026) to the ball located in the bush welded to the Main Frame (WB001) at point (P) and the other end of the strut at point (V). Re-fit wire locking clips to the strut, this will prevent the strut coming adrift. For easier fitting of the strut release upper frame locking catch, open the frame until the strut fits onto the balls.

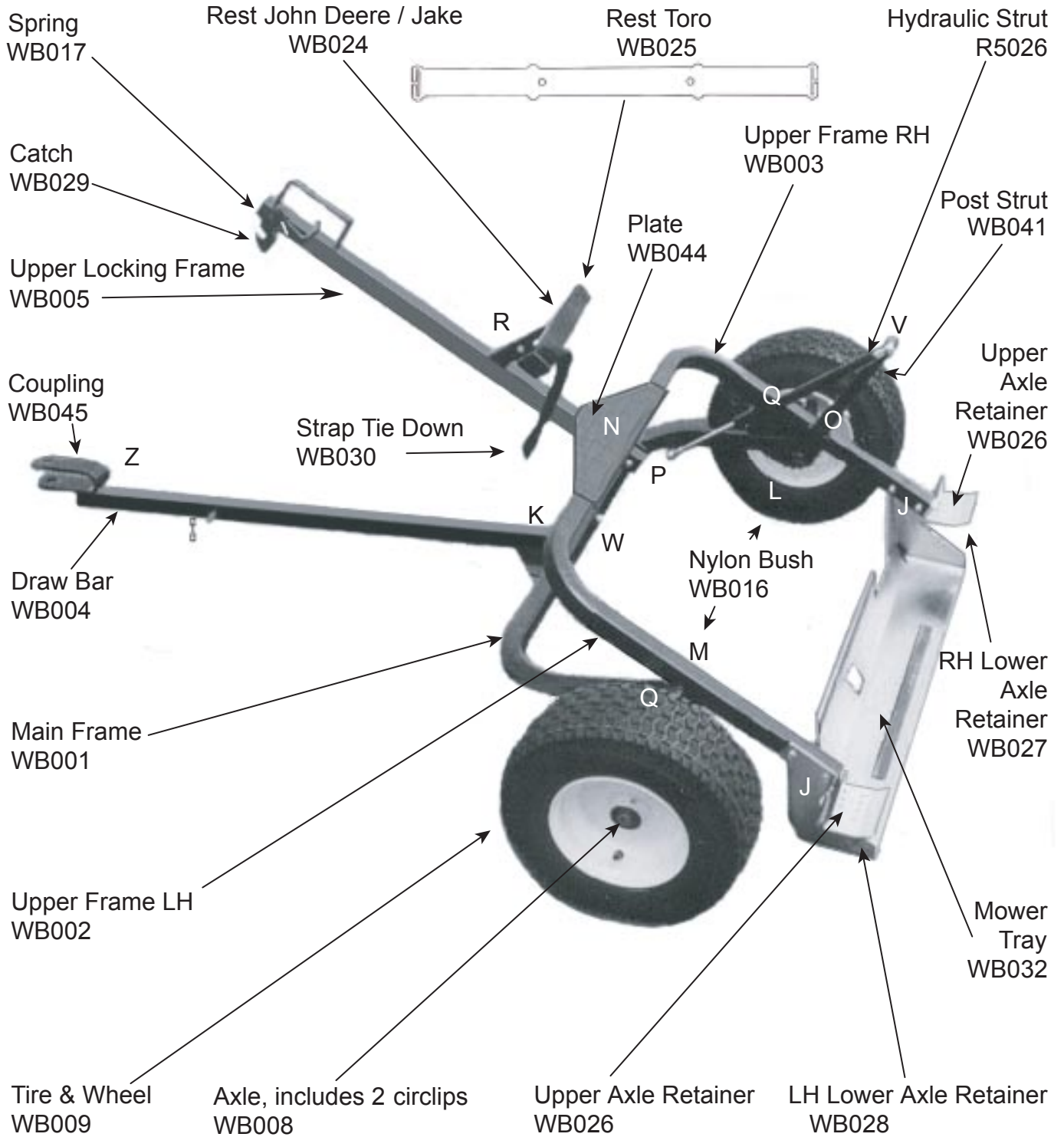
ENSURE ALL BOLTS ARE TIGHTENED & FITTINGS ARE CORRECTLY INSTALLED AS PER THE INSTRUCTIONS

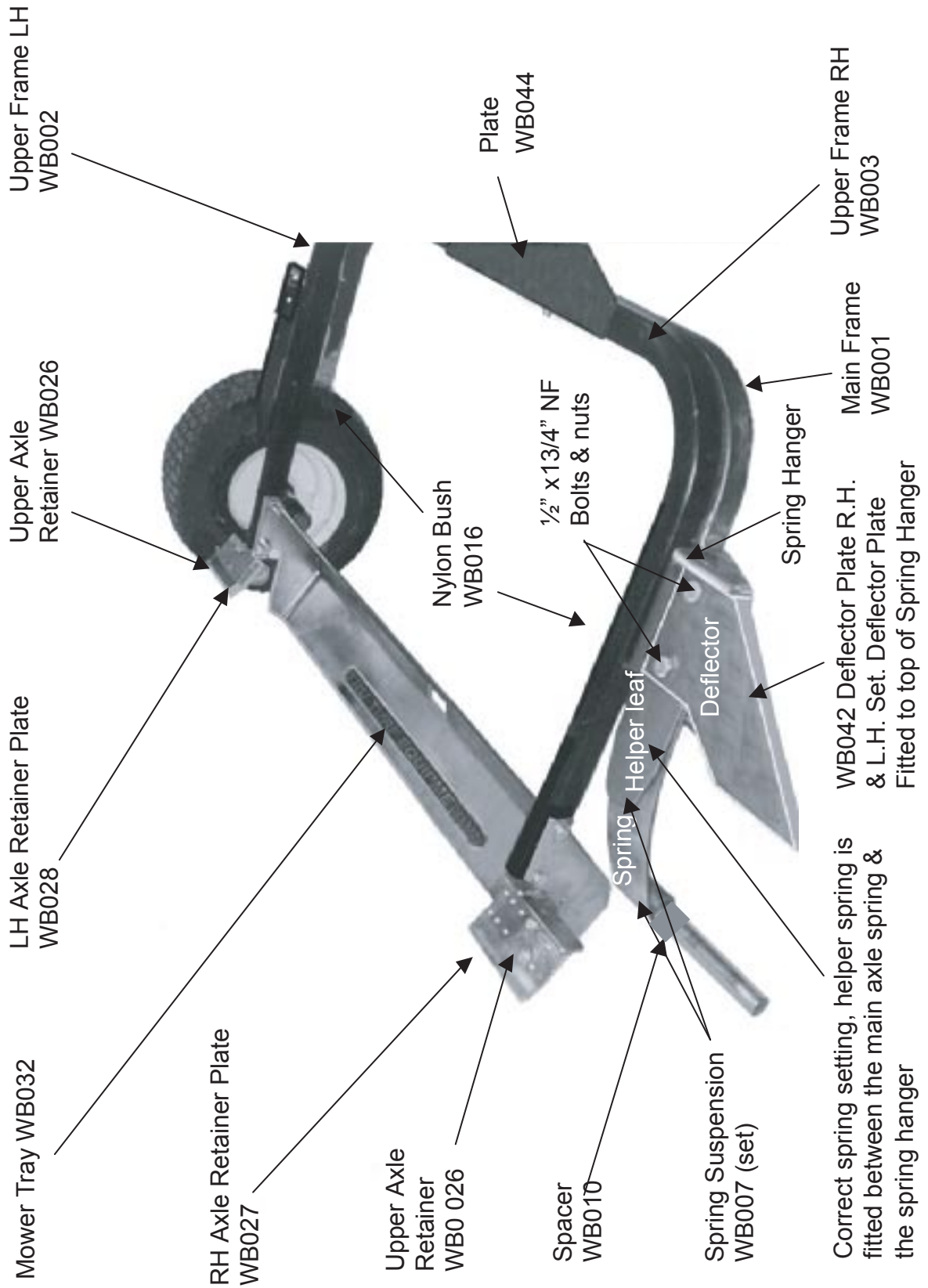


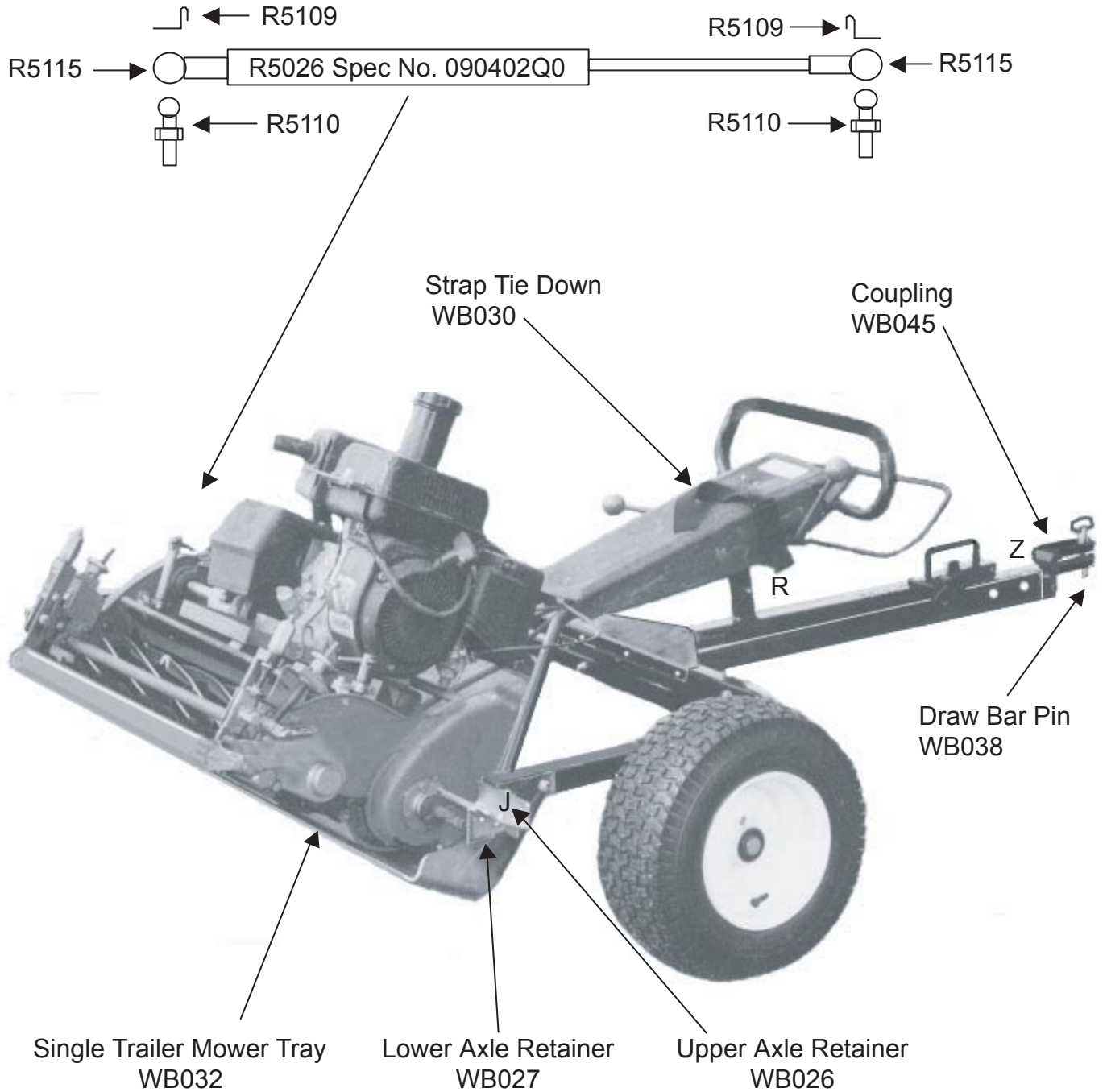


## OPERATION

1. Connect Trailer to Prime Mover, leave connected at all times, when using.
2. To Load Mower onto Trailer, release Upper Frame Locking Catch; (WB029) raise Upper Locking Frame (WB005) to lower Mower Support Tray (WB032) to the ground. Roll the mower handle first onto the mower tray, ensuring that it is located between and under the axle retainer brackets (WB026, WB027 & WB028).
3. Tilt mower handle forward until it rests on the handle support bracket; (WB024 or WB025) strap in place with Webbing Strap (WB030) supplied.
4. Push down on upper frame at handle until it locks down on top of the Drawbar (WB004).
5. Important - Attach safety chain to end of release catch before towing mower.
6. Turn off the fuel tap. The mower is now ready to be transported to it's next location.
7. Unloading the Mower is the opposite procedure to loading.
8. To attach single trailer behind double trailer swing Dual Drawbar frame over loaded mower & lock in place with Pins (WB037) at point (Y)
9. Maximum recommended towing speed is not to exceed 12 mph (20kph)
10. Important – when towing 2 or more mowers at any one time, the maximum towing speed is not to exceed 6mph (10kph)
11. Allow 5-10 seconds for the mower to be lowered to the ground after releasing the catch  
WB029







Picture showing mower correctly positioned in tray WB032, with the axle located under the Upper Axle Retainer WB026 & inside Lower Axle Retainer WB027 then strapped in with WB030



**TRU TURF EQUIPMENT**

Front of Main Frame  
WB001

**TOTE MT2000**

Front of Main Frame  
WB001



**WHEN TOWING 2 OR MORE  
MOWERS, MAXIMUM SPEED  
6MPH (10KPH).**

Top of Upper Locking Frame  
WB005

**TRU-TURF EQUIPMENT**

International Agencies

+ 61 7 5594 7199

Email: [truturf@ausinfo.com.au](mailto:truturf@ausinfo.com.au)

Website: [www.truturf.com](http://www.truturf.com)

**SERIAL NUMBER. TRAIL16094**

Top of Spring Hanger

**TURN OFF FUEL TAP  
BEFORE TOWING**

Top of Upper Locking Frame  
WB005

**Australian made.  
Patent applied for.**

Top of Spring Hanger



## PARTS LIST & CONTENTS

Part Number	Part Description
WB001 x 1	Chassis Main Frame
WB002 x 1	Upper Frame LH
WB003 x 1	Upper Frame RH
WB004 x 1	Drawbar
WB005 x 1	Upper Locking Frame
WB007 x 2	Spring Suspension
WB008 x 2	Axle, includes 2 Circlips
WB009 x 2	Tire & Wheel
WB010 x 2	Spacer 45mm or 65mm
WB016 x 2	Nylon Bush
WB017 x 1	Spring
WB024 x 1	Rest – John Deere / Jake
WB025 x 1	Rest – Toro
WB026 x 2	Upper Axle Retainer
WB027 x 1	RH Lower Axle Retainer
WB028 x 1	LH Lower Axle Retainer
WB029 x 1	Catch
WB030 x 1	Strap Tie Down, 1 set
WB032 x 1	Mower Tray
WB034 x 1	Dual Drawbar Frame
WB038 x 1	Drawbar pin
WB041 x 1	Post – Strut
WB042 x 2	RH & LH Deflector Plate
WB043 x 1	Washer Plate
WB044 x 1	Upper Frame Strengthener
WB045 x 1	Drawbar Tongue ( for pin )
WB046 x 1	Drawbar Tongue ( ball coupling if required )
R5026	Strut (Spec No. 090402Q0)
R5109	Spring Locking – Strut Trailer/Roller
R5110	Ball Connector Strut 8mm thread
R5115	Strut End